

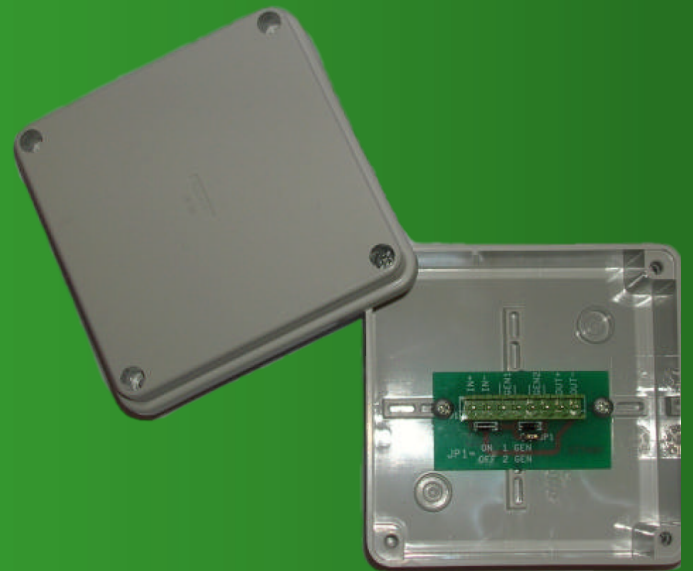


GreenEx

FIRE SUPPRESSION SOLUTIONS



GreenEx MSATT-2 GreenSol Activation PCB



Datasheet	MSATT-2
Series	MSATTPCB
Version	2.01
Date	13-02-2020

MSATT-2

The GreenEx MSATT-2 aerosol activation PCB is capable of controlling and igniting two GreenSol extinguishing generators.

The MSATT-2 is compatible with all major fire extinguishing release panels with a EN-54 or UL-864 listing and certification.

The MSATT box is designed to connect 1 to 2 GreenSol Extinguishing generators.

Main Features

- > Capable of managing up to 20 GreenSol extinguishing generators
- > Compatible with all main extinguishing panels EN-54 part 1, 2 and 4.
- > Compatible with all main extinguishing panels UL-864
- > Small-Safe-Simple
- > Cost Effective

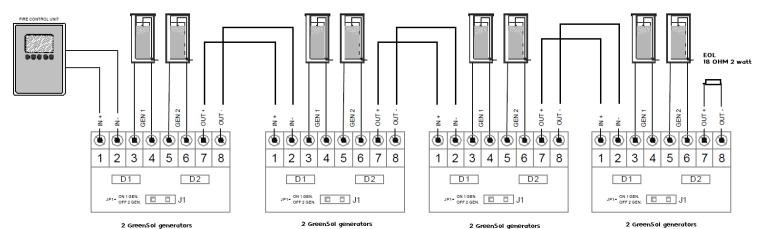
Mechanical Specifications

Dimensions

Width 60 mm

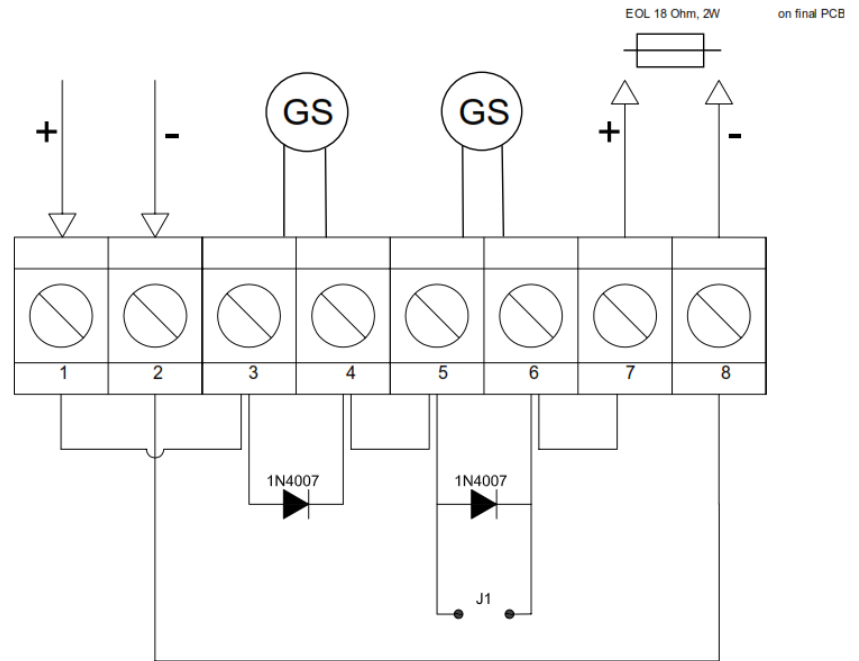
Height 20 mm

Length 60 mm



MSATT-2

Schematic Diagram



Additional Note

The MSATT-2 can activate one or two GreenSol aerosol generators from the A50 up to the A1000. Using the MSATT-2 to activate a GreenSol A5000, you can only activate one unit with one MSATT-2.

The maximum MSATT-2 activation PCB in one line is restricted to 10 MSATT PCB's.

All fire extinguishing panels / release panels units on the market and compliant with the standard EN54 parts 1,2 and 4 as well as all UL-864 panels are suitable for use with GreenSol Aerosol Extinguishing Systems, provided they have a dedicated 24VDC ≥ 1.35 A, discharge output (RAC) and are controlled with a current of surveillance **not** exceeding 5 mA.