



GreenEx

FIRE SUPPRESSION SOLUTIONS



GreenSol A-5000™

Aerosol Extinguishing System



Datasheet
Series
Version 5.0_UL
Date

GreenSol A5000
A-5000
30-06-2020



GreenSol A-5000™

The GreenEx A5000 GreenSol Fire Extinguisher is based on the environment friendly SFE Powdered Aerosol technology, listed on the EPA Halon Alternatives SNAP list as Powdered Aerosol A, designed for total flood fire suppression applications.

The A5000 model is designed to extinguish and provide inertization for the following classes of fires.

- > **Class A** - Fires involving ordinary combustibles such as paper, wood, cloth, rubber, or plastics;
- > **Class B** - Fires involving flammable or combustible liquids, gases, oil, paints, or lacquer;
- > **Class C** - Fires involving energized (live) electrical equipment such as motors, appliances, or power tools
- > **Class K** - Fires involving combustible cooking oils, or fats in cooking appliances.

The extinguishing agent concentration required for each type of fire and volume to be protected is determined by the solid SFE agent content in the GreenSol unit and the number of units per system.

The extinguishing agent delivered by the GreenSol system is a powdered aerosol created “in-situ” by a chemical reaction taking place in a non-pressurized container, delivering dry powder small particles (1-5 microns) floating in inert gases.

The GreenEx A5000 GreenSol unit produces large amounts of powdered aerosol, designed to extinguish a fire in a 50 m³ closed volume.

The system is compatible with standard detection and release systems and can be installed inside or outside the protected volume.

Main features

- > Powdered Aerosol Halon Replacement
- > No Ozone Depletion
- > No Global Warming
- > Low Toxicity
- > Highly Efficient – 100 gr/m³
- > Approved by EPA, SNAP listing (aerosol A SFE)
- > Small – Safe – Simple
- > For A-B-C-K Class Total Flooding Applications
- > Cost Effective

Applications

- > CNC machines
- > Computer 19" racks
- > Control rooms (false ceiling – sub floors)
- > Electrical cabinets
- > Engine & compressor rooms
- > Paint lockers
- > Server rooms
- > Telecom rooms
- > Flammable and combustible liquids storage

General Specifications

Extinguishing Volume	50 m ³ (100 gr/m ³)
Activation Mode	Electrical
Powdered Aerosol Color	White / light gray
Discharge Time	58 sec
Temperature Range	-40°C (-40°F) to +54°C (130°F)
Toxicity	None
SFE Weight	5000 gram
SFE Specific Gravity	1.2 – 1.5 gr/cm ³
SFE Combustion Velocity	1.1 – 1.2 mm/sec
Fire Classes	A – B – C -K

Electrical Requirements

Power Supply	1.35 Amp
Ignition	Electrical match SPEX
Electrical resistance	0.85 – 1.85 Ohm (± 0.2)

Mechanical Specifications

Dimensions (W x H x L)	190 x 390 x 390 mm
Total Weight	35 kg

Environment Friendly

Ozone Depletion Potential	None
Global Warming Potential	None

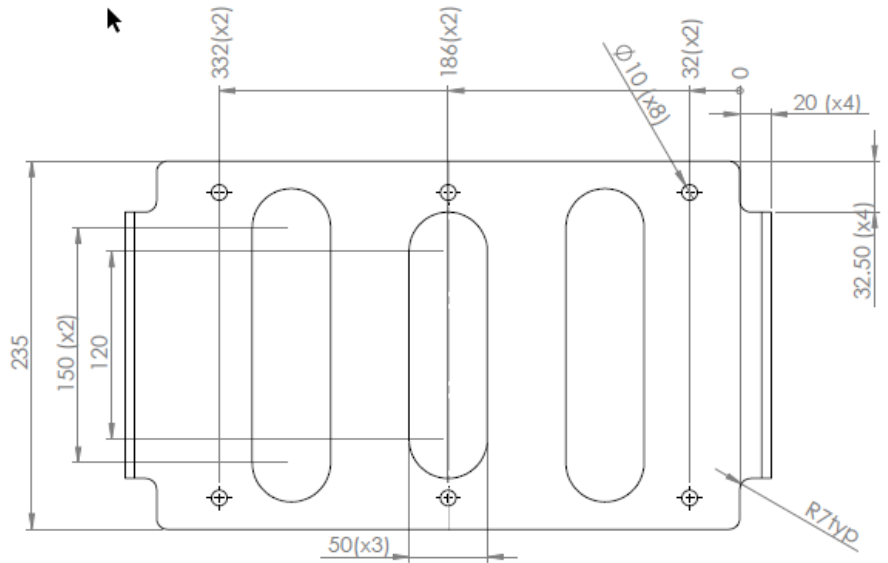
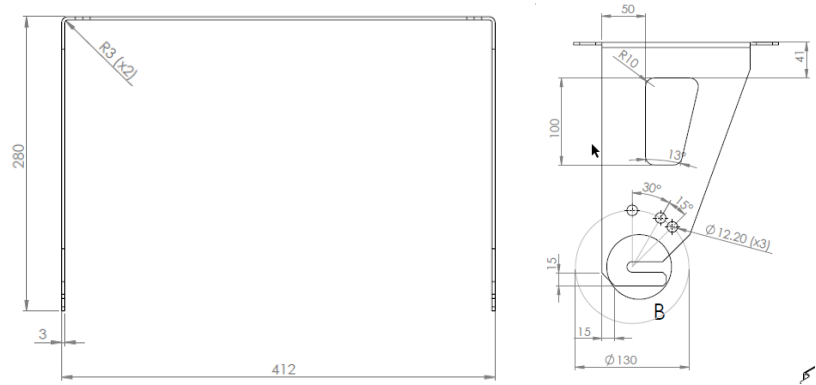
GreenSol A-5000™

Distributed in Canada by



SSIFIRE SOLUTIONS.COM
sales@ssifiresolutions.com

Bracket dimensions



Thermal Analysis A-5000

Minimum safe distance for Personnel:

Discharge stream				Generator casing			
Distance, in	Distance, cm	Max. temp, °F	Max. temp, °C	Distance, in	Distance, cm	Max. temp, °F	Max. temp, °C
72	183	166	74	.25	0.6	139	59

Minimum safe distance for Combustibles:

Discharge stream				Generator casing			
Distance, in	Distance, cm	Max. temp, °F	Max. temp, °C	Distance, in	Distance, cm	Max. temp, °F	Max. temp, °C
24	61	342	156	.25	0.6	151	66

Approvals and accreditations

- UL-2775, EX27228
- EN-ISO-9094:2015, European Recreational Craft Directive 2013/53/EU
- CE Marking
- ANSI/UL 2775 Fixed Condensed Aerosol Extinguishing System Units
- ULC/ORD C2775-12 Fixed Condensed Aerosol Extinguishing System Units
- NFPA-2010:2015 Standard for Fixed Aerosol Fire Extinguishing Systems